

myMix Personal Monitor Mixing and Multitrack Recording System

- Individual stereo mixes for each musician with up to 16 channels of audio
- Individual channel selection from network
- Send Mix to Network
- Up to 16 +2 tracks of recording and playback (with optional SDHC card)
- Intuitive interface with full color LCD display
- Networked via standard or PoE Fast Ethernet switches
- Dual mic/line inputs with 48v phantom power
- Separate headphone and stereo line outputs
- Mounts easily to microphone stands with included adapter
- Convenient Remote Control with optional myMix CONTROL Software



myMix is a networked personal monitor mixing system that allows each user to create an individual local mix. The system is networked using standard Fast Ethernet (100Mbps) switches. Each unit has two local inputs for microphone or line signals and a stereo master output. **myMix** units are automatically detected on the network - identified by the names of each myMix and their respective input channels. **myMix** can select individual audio channels from the network and mix up to 16 channels, which can be altered in volume, tone, panorama, solo and mute. Internal effects (6 reverb presets) can be added to each input signal. The stereo output signal can be sent to the network and is available on balanced 1/4" jacks and on a 3.5mm headphone jack. A 4-band fully parametric EQ is available for the output signal. All settings of the mixer are automatically stored in profiles. Users can record the local mix as well as the individual network signals in multi-track as time stamped 24-bit WAV files on an optional SD/SDHC card. Sessions can be played back and remixed. Play Along allows mixing local inputs and tracks from SD card. **myMix** is powered by the external psu or via POE (15 W) . The imic stand adaptor allows easy mounting to standard microphone stands (included with myMix).

SPECIFICATIONS

Inputs

Impedance (Microphone / Line)	2 k Ω / 20 k Ω
Input Gain (Microphone)	variable from +4 dB to +60 dB
Input Gain (Line)	variable from -16 dB to +40 dB
Maximum Input Level (Mic/Line)	+14 dBu / +34 dBu
Frequency Response	20 Hz to 20 kHz (+0dB, -1dB)

Outputs

Impedance (Line / Headphone Outputs)	75 Ω balanced / to drive >16 Ω
Max Output Level (Line)	+21 dBu

Signal to Noise Ratio

	> 104 dB
--	----------

THD +N (Microphone Input to Line Out)

	< 0,022 %
--	-----------

Cross talk (L to R)

	< -80 dB
--	----------

Mute

	> 100 dB
--	----------

System Network

Network Type	Fast Ethernet 100 Mbps
--------------	------------------------

Network Cabling	Cat 5
-----------------	-------

Network Latency	<1 ms
-----------------	-------

AD/DA Conversion	24-bit
------------------	--------

Recording

Recording Media	SD or SDHC card
-----------------	-----------------

Recording Format	wav file, 24-bit, 48kHz sampling rate
------------------	---------------------------------------

Connectors

Microphone Input	Balanced XLR (1 gnd, 2 pos, 3 neg)
------------------	------------------------------------

Line Input	Balanced 1/4" jack (tip pos, ring neg, sleeve gnd)
------------	--

Line Output	Balanced 1/4" jack (tip pos, ring neg, sleeve gnd)
-------------	--

Headphone Output	3.5mm stereo jack
------------------	-------------------

System Network	RJ45
----------------	------

Weight and Dimensions

Net Size (excl. mic stand adaptor) W x H x D	134mm x 171mm x 60 mm (5.3" x 6.7" x 2.4")
--	--

Net Weight (excl. mic stand adaptor)	0,5 kg (1.1 lbs)
--------------------------------------	------------------

Packaged Size W x H x D	172mm x 280mm x 80mm (6.8" x 11" x 3.2")
-------------------------	--

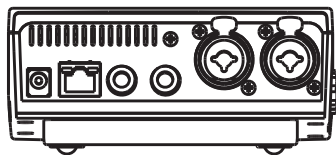
Packaged Weight	0,9 kg (2.0 lbs)
-----------------	------------------

Included Accessory

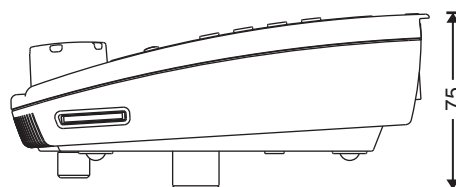
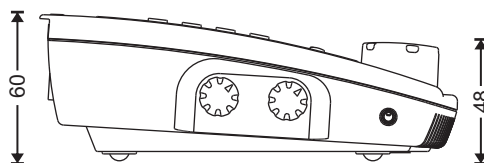
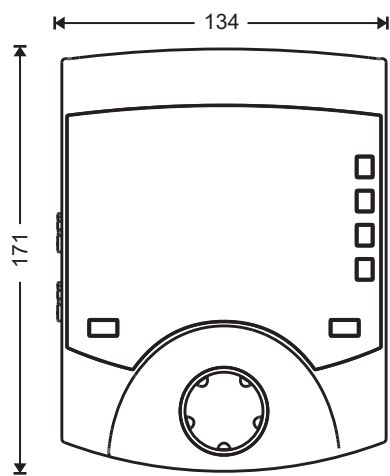
	myMix PSU (24V, 12W)
--	----------------------

	myMix microphone stand adaptor
--	--------------------------------

Rear Panel



Dimensions in mm



with attached
microphone stand
adapter

Typical System Set Up

